

## CLAMPING SYSTEM MACRO

Pneumatic holders are made in version with or without air-cleaning of Z axis reference areas.  
Letter „C“ in the name of the holder means automatic cleaning.  
It is necessary to use hand-operated valve PM5C to control.



**WPU100D-MACRO**

Pneumatic holder MACRO  
Fitting on a machine table with screws M10, pitch 125mm  
Standard control: air-gun  
Dimensions: 150x110x57mm  
Clamping power: 9000N  
Material INOX, hardened 54 °HRC

Available in version C

(WPU100DC-MACRO)

Accessories: hand-operated valve PM5 or PM5C



**PM5**



**PM5C**

Manual valve PM5 / PM5C for pneumatic holders

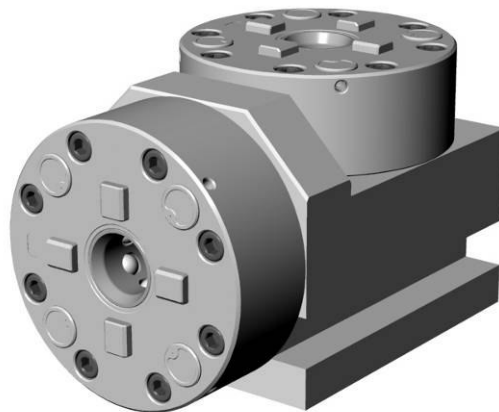


### **WPU56D-MACRO**

Pneumatic holder MACRO  
Fitting on a machine table with screws M10, pitch 80mm  
Standard control: air-gun  
Dimensions: 110x80x66mm  
Clamping power: 4000N  
Material INOX, hardened 54 °HRC

Available in version C  
(WPU56DC-MACRO)

Accessories: hand-operated valve PM5 or PM5C

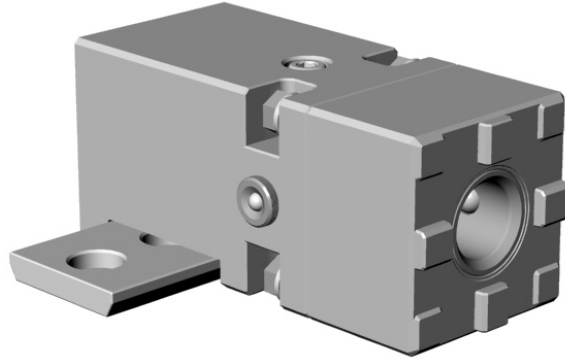


### **WPU100-90 MACRO**

Vertical-horizontal pneumatic holder MACRO  
Distance of horizontal axis from the base is 60mm  
Error of clamps' perpendicularity axis up to 0,005/100mm  
Standard control: air-gun  
Fitting on a machine table: clamps  
Dimensions: 61x100x115mm  
Clamping power: 2x9000N  
Material INOX, hardened 54 °HRC

Available in version C  
(WPU100-90C MACRO)

Accessories: hand-operated valve PM5 or PM5C



### **WPU56H-MACRO SET**

Horizontal pneumatic holder MACRO for WEDM  
Direct fitting on a machine table with screws M8, pitch 25mm  
Standard control: air-gun  
Dimensions: 127x56x56mm  
Clamping power: 4000N  
Material INOX, hardened 54 °HRC

Available in version C  
(WPU56HC-MACRO)

Accessories: hand-operated valve PM5 or PM5C



### **WMU56V-MACRO SET**

Vertical manual holder MACRO for WEDM  
Direct fitting on a machine table with screws M8, pitch 25mm  
Dimensions: 152x56x27mm  
Material INOX, hardened 54 °HRC

## MEASURING POINTERS FOR EDM



### WSK-MACRO

Pointers with gentle setting to zero and changeable ball contacts  
Material INOX, hardened 54 °HRC  
Dimensions: 54x54x130



### MS4

Measuring ball contact for WSK  
Contact stem is made of hardmetal  
Delivered diameters: 2,4,6 mm.  
Dimension: L=130  
Material INOX

## ADAPTERS



**WR54MACRO-ITS**

Adapter from system MACRO into system ITS  
Dimensions: 54x54x30  
Material INOX, hardened 54 °HRC



**WUJ50 MACRO**

Adapter from system MACRO into system JUNIOR  
Dimensions: 54x54x50  
Material INOX, hardened 54 °HRC

## HOLDERS WQM

for electrodes of square profile 15x15 or 25x25



**WQM15-MACRO**

Holder for profile 15x15mm  
Axis distance of the quadrant's wall is  $7,50 \pm 0,003$   
Reference height Z is  $40,00 \pm 0,003$   
Material INOX, hardened 54°HRC



**WQM25-MACRO**

Holder for profile 25x25mm  
Axis distance of the quadrant's wall is  $12,50 \pm 0,003$   
Reference height Z is  $40,00 \pm 0,003$   
Material INOX, hardened 54°HRC

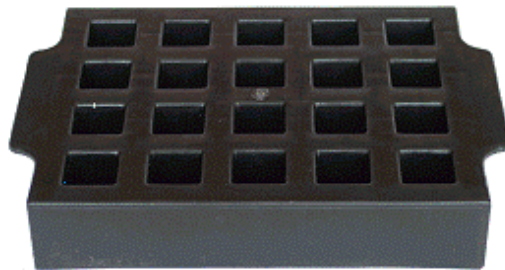


**Copper semi-products for holders WQM**

Dimensions 15x15x75 or 25x25x90

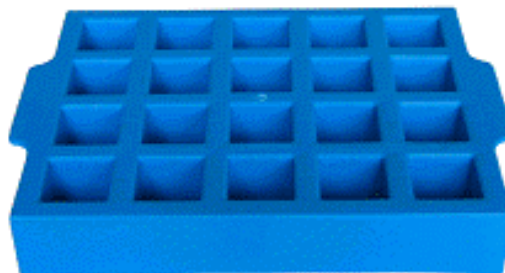


**Graphite semi-products for holders WQM**



**E-BOX20**

Plastic box for 20pc of electrodes 15x15



**E-BOX25**

Plastic box for 20pc of electrodes 25x25

## COLLET CHUCKS WER

for electrodes of circular profile and tube electrodes



**WER16L-MACRO**

Collet chuck for collets ER16  
„L“ - prolonged version  
Axial alignment max. error up to 0,002  
Material INOX, hardened 54 °HRC  
Nut is made of case-hardening steel



**WER32-MACRO**

Collet chuck for collets ER32  
Axial alignment max. error up to 0,002  
Material INOX, hardened 54 °HRC  
Nut is made of case-hardening steel

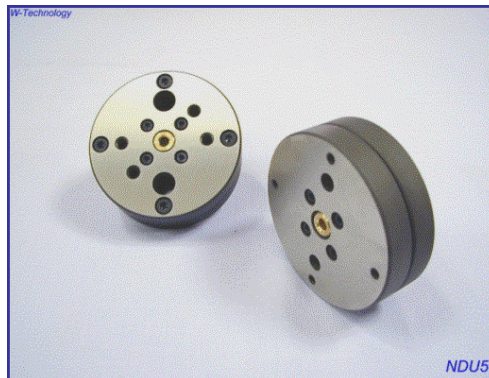
## ND50 - tilting board with indexing



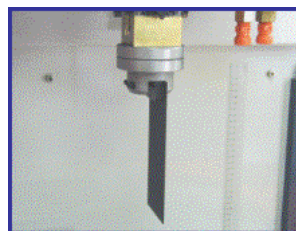
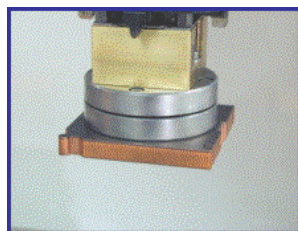
**ND50 Q26**

For easy gripping and setting of electrode angle,  
for example when machining tunnel inflows.  
The system is equipped with hydraulic brake so as to provide for required position.  
Scale with indexing by 1° makes angle positioning easy and fast.  
Electrodes are clamped into the prismatic hole 15x15mm.  
The angel is possible to set on a scale 0° - 160°. Max. load: 5kg  
In the picture there is a board on a pallet ITS.

## NDU5 - universal tilting board



Makes electrode aligning easier – plane, perpendicularity.  
Electrodes and different adapters can be fastened to the board, or  
collet chuck ER32.  
Board is fastened to pallets MACRO.  
Pitch of fixing holes for screws M6 is 40mm  
Setting range:  $\pm 1^\circ$   
Max. load: 5kg



## MACRO PALLETS



### MACRO 50-12

Pallet MACRO  
Dimensions: 54x54x12,50  
Reference areas are lapped  
Material INOX, hardened 54 °HRC